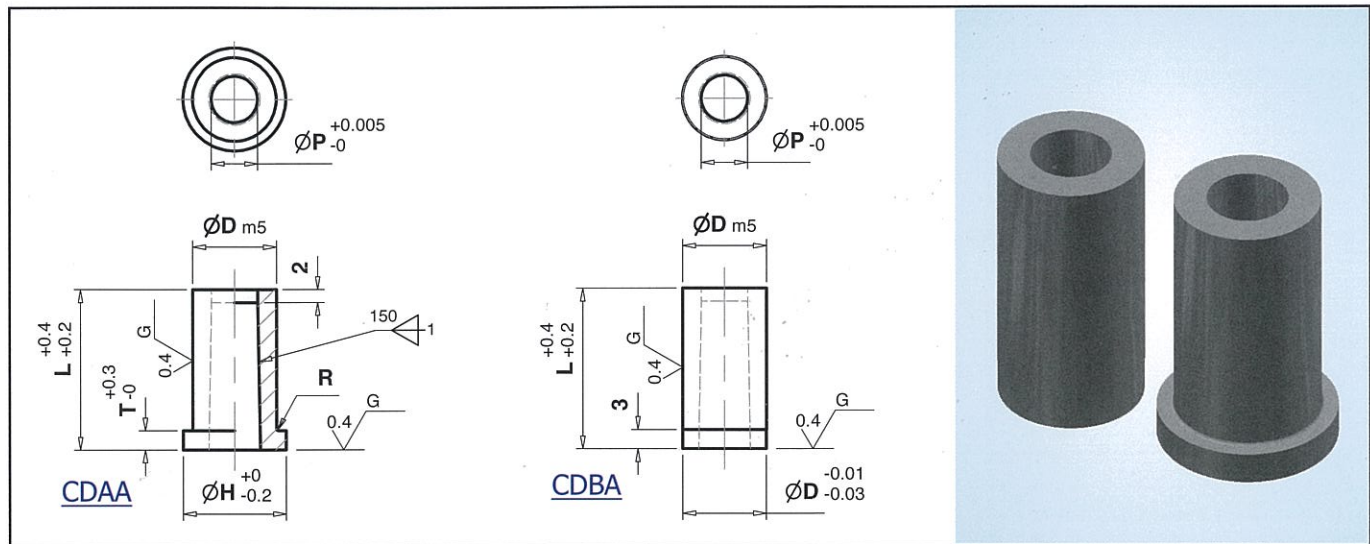


# SOLID CARBIDE DIES

- BUTTON HEAD TYPE, ROUND (CDA A)
- BUTTON STRAIGHT TYPE, ROUND (CDBA)



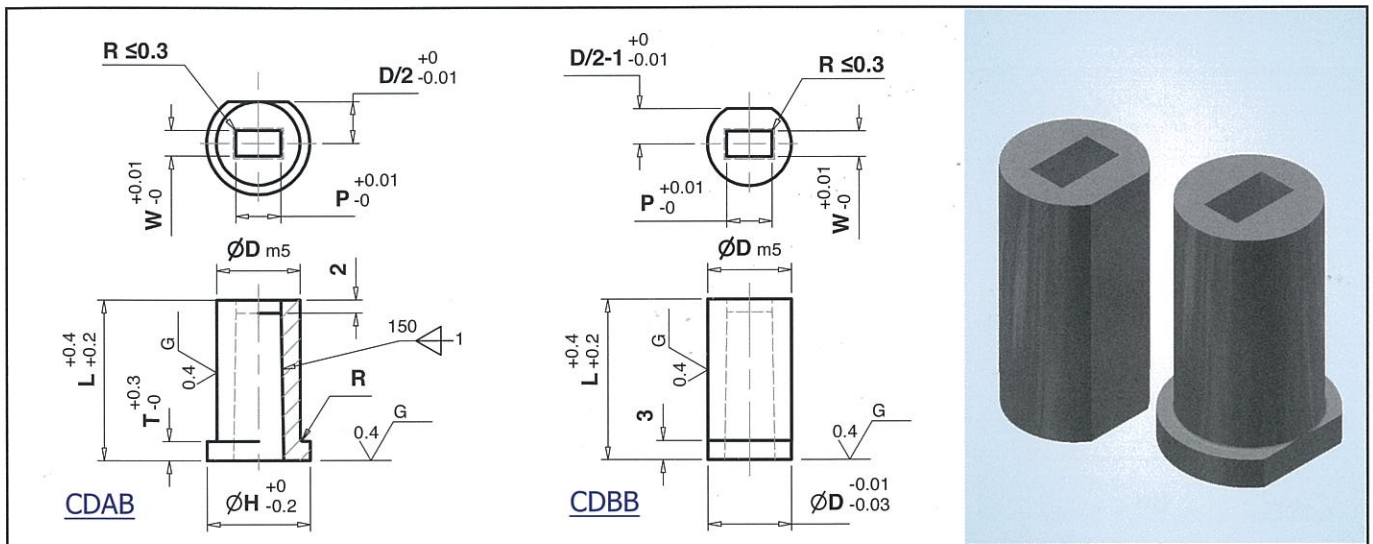
D Body Dia.	P Hole Dia.	H Head Dia.	T Head Height	L – Length				
				15	20	25	30	35
3.0	1.000 – 1.500	4	3	•	•	•		
4.0	1.000 – 2.500	5	3	•	•	•	•	
5.0	1.000 – 3.000	6	3	•	•	•	•	
6.0	1.000 – 4.000	9	5	•	•	•	•	
8.0	1.000 – 5.000	11	5	•	•	•	•	•
10.0	2.000 – 7.000	13	5	•	•	•	•	•
13.0	3.000 – 8.500	16	5	•	•	•	•	•
16.0	5.000 – 10.000	19	5		•	•	•	•
20.0	7.000 – 13.000	23	5		•	•	•	•
25.0	9.000 – 18.000	28	5			•	•	•

Note: Other Dimension Not Listed above can be ground to your specifications.  
If in doubt please send us your drawing. 'D' tolerance is m5 or +0.005.

How to order : **CDA A – D – P – L**  
Example : **CDBA – D3.0 – P1.000 – 15**

# SOLID CARBIDE DIES

- BUTTON HEAD TYPE, RECTANGLE (CDAB)
- BUTTON STRAIGHT TYPE, RECTANGLE (CDBB)



D Body Dia.	P Point Size		H Head Dia.	T Head Height	L – Length				
	P	W			15	20	25	30	35
3.0	0.750 – 1.000	0.750 – 1.000	4	3	•	•	•		
4.0	0.750 – 2.000	0.750 – 2.000	5	3	•	•	•	•	
5.0	0.750 – 2.500	0.750 – 2.500	6	3	•	•	•	•	
6.0	0.750 – 3.500	0.750 – 3.500	9	5	•	•	•	•	
8.0	0.750 – 5.000	0.750 – 5.000	11	5	•	•	•	•	•
10.0	2.000 – 7.000	2.000 – 7.000	13	5	•	•	•	•	•
13.0	3.000 – 8.500	3.000 – 8.500	16	5	•	•	•	•	•
16.0	5.000 – 10.000	5.000 – 10.000	19	5		•	•	•	•
20.0	7.000 – 13.000	7.000 – 13.000	23	5		•	•	•	•
25.0	9.000 – 18.000	9.000 – 18.000	28	5			•	•	•

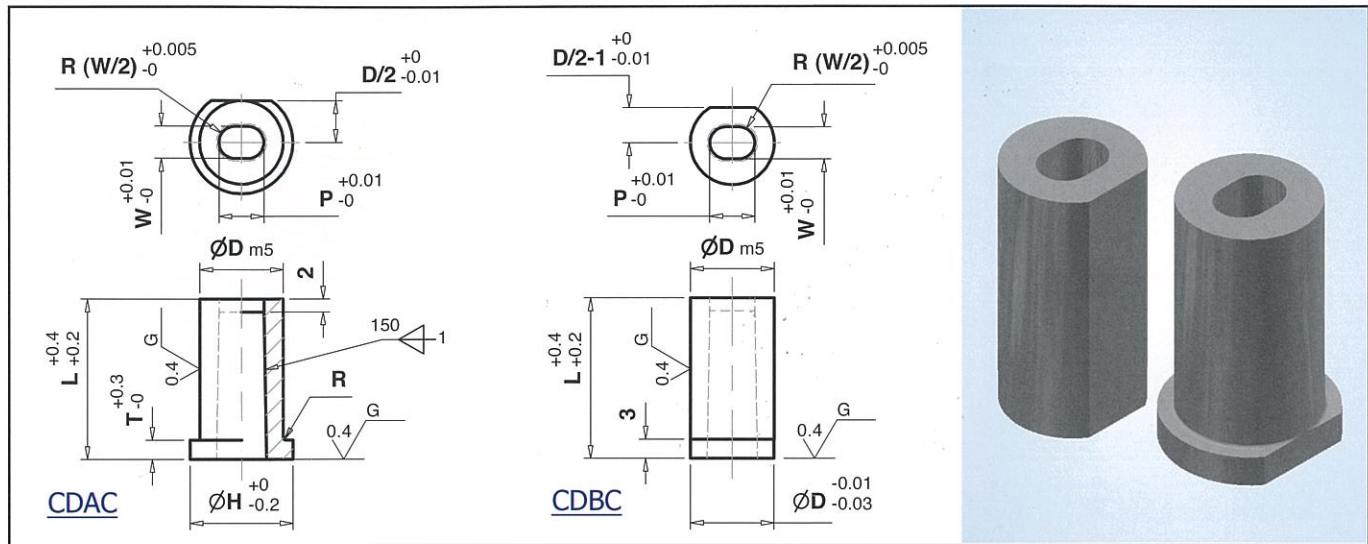
Note: Other Dimension Not Listed above can be ground to your specifications.  
 If in doubt please send us your drawing. 'D' tolerance is m5 or +0.005.  
 Hole by wire EDM.

How to order : **CDAB – D – P – W – L**  
 Example : **CDBA – D3.0 – P1.000 – 15**



# SOLID CARBIDE DIES

- BUTTON HEAD TYPE, OBLONG (CDAC)
- BUTTON STRAIGHT TYPE, OBLONG (CDBC)



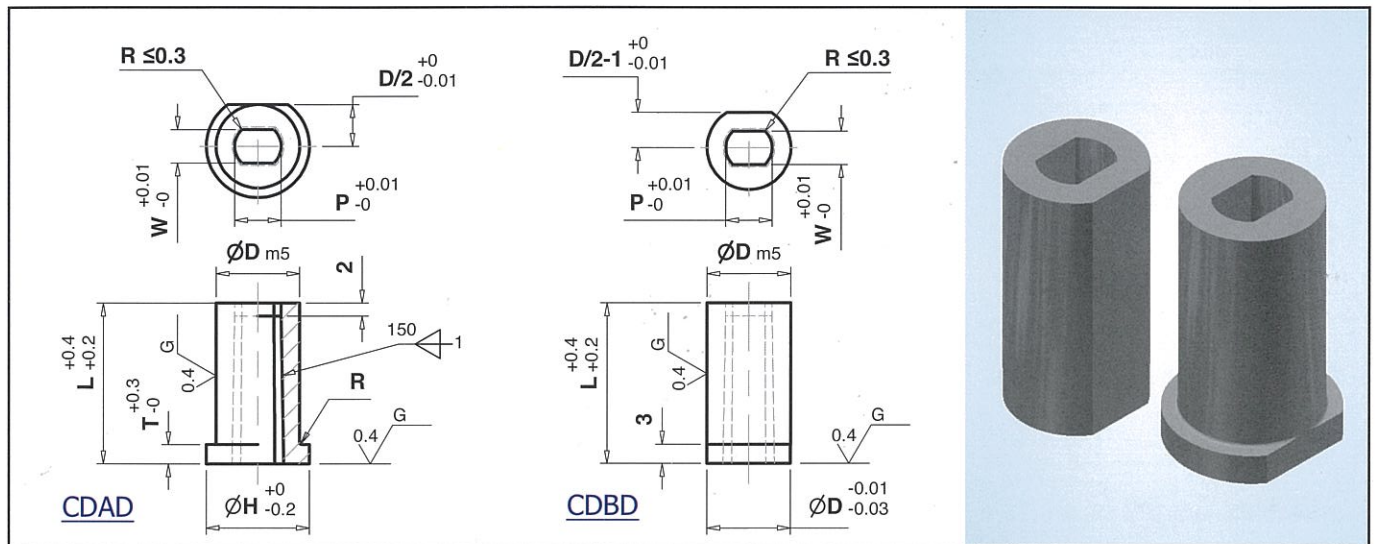
D Body Dia.	P Point Size		H Head Dia.	T Head Height	L – Length				
	P	W			15	20	25	30	35
3.0	0.750 – 1.000	0.750 – 1.000	4	3	•	•	•		
4.0	0.750 – 2.000	0.750 – 2.000	5	3	•	•	•	•	
5.0	0.750 – 2.500	0.750 – 2.500	6	3	•	•	•	•	
6.0	0.750 – 3.500	0.750 – 3.500	9	5	•	•	•	•	
8.0	0.750 – 5.000	0.750 – 5.000	11	5	•	•	•	•	•
10.0	2.000 – 7.000	2.000 – 7.000	13	5	•	•	•	•	•
13.0	3.000 – 8.500	3.000 – 8.500	16	5	•	•	•	•	•
16.0	5.000 – 10.000	5.000 – 10.000	19	5		•	•	•	•
20.0	7.000 – 13.000	7.000 – 13.000	23	5		•	•	•	•
25.0	9.000 – 18.000	9.000 – 18.000	28	5			•	•	•

Note: Other Dimension Not Listed above can be ground to your specifications.  
 If in doubt please send us your drawing. 'D' tolerance is m5 or +0.005.  
 Hole by wire EDM.

How to order : **CDAC – D – P – W – L**  
 Example : **CDBC – D3.0 – P1.000 – W1.000 – 15**

# SOLID CARBIDE DIES

- BUTTON HEAD TYPE, FLATTED ROUND (**CDAD**)
- BUTTON STRAIGHT TYPE, FLATTED ROUND (**CDBD**)



D Body Dia.	P Point Size		H Head Dia.	T Head Height	L – Length				
	P	W			15	20	25	30	35
3.0	0.750 – 1.000	0.750 – 1.000	4	3	•	•	•		
4.0	0.750 – 2.000	0.750 – 2.000	5	3	•	•	•	•	
5.0	0.750 – 2.500	0.750 – 2.500	6	3	•	•	•	•	
6.0	0.750 – 3.500	0.750 – 3.500	9	5	•	•	•	•	
8.0	0.750 – 5.000	0.750 – 5.000	11	5	•	•	•	•	•
10.0	2.000 – 7.000	2.000 – 7.000	13	5	•	•	•	•	•
13.0	3.000 – 8.500	3.000 – 8.500	16	5	•	•	•	•	•
16.0	5.000 – 10.000	5.000 – 10.000	19	5		•	•	•	•
20.0	7.000 – 13.000	7.000 – 13.000	23	5		•	•	•	•
25.0	9.000 – 18.000	9.000 – 18.000	28	5			•	•	•

Note: Other Dimension Not Listed above can be ground to your specifications.  
 If in doubt please send us your drawing. 'D' tolerance is m5 or +0.005.  
 Hole by wire EDM.

How to order : **CDAD – D – P – W – L**

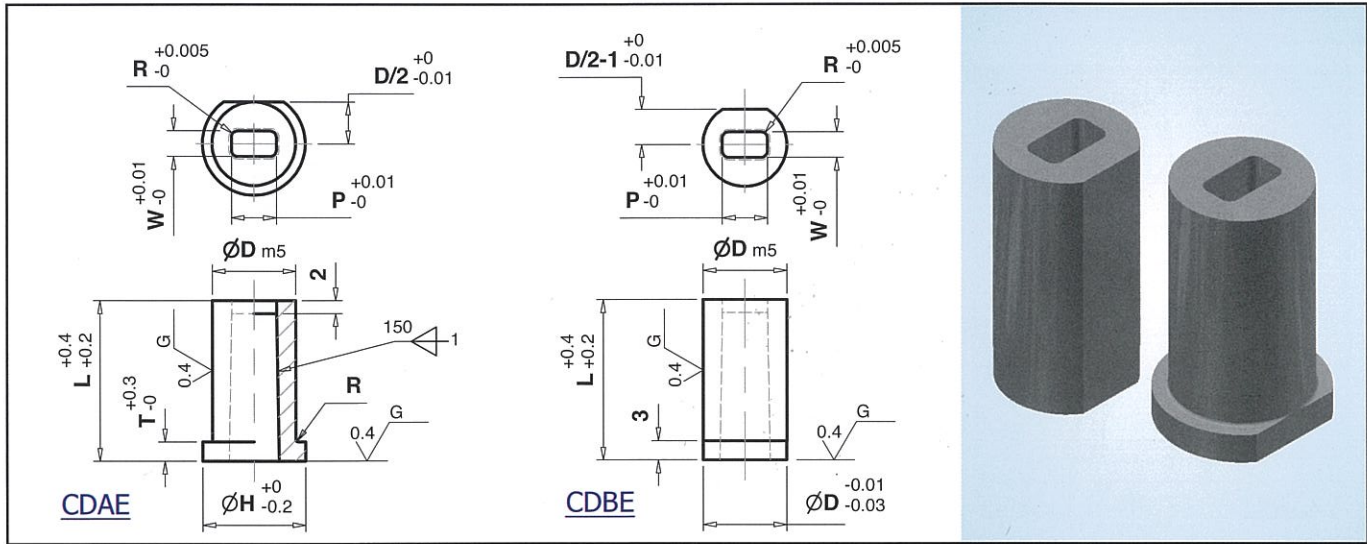
Example : **CDBD – D3.0 – P1.000 – W1.000 – 15**



# SOLID CARBIDE DIES



- BUTTON HEAD TYPE, RECTANGLE w/ CORNER RADIUS (CDAE)
- BUTTON STRAIGHT TYPE, RECTANGLE w/ CORNER RADIUS (CDBE)



D Body Dia.	P Point Size		H Head Dia.	T Head Height	L – Length				
	P	W			15	20	25	30	35
3.0	0.750 – 1.000	0.750 – 1.000	4	3	•	•	•		
4.0	0.750 – 2.000	0.750 – 2.000	5	3	•	•	•	•	
5.0	0.750 – 2.500	0.750 – 2.500	6	3	•	•	•	•	
6.0	0.750 – 3.500	0.750 – 3.500	9	5	•	•	•	•	
8.0	0.750 – 5.000	0.750 – 5.000	11	5	•	•	•	•	•
10.0	2.000 – 7.000	2.000 – 7.000	13	5	•	•	•	•	•
13.0	3.000 – 8.500	3.000 – 8.500	16	5	•	•	•	•	•
16.0	5.000 – 10.000	5.000 – 10.000	19	5		•	•	•	•
20.0	7.000 – 13.000	7.000 – 13.000	23	5		•	•	•	•
25.0	9.000 – 18.000	9.000 – 18.000	28	5			•	•	•

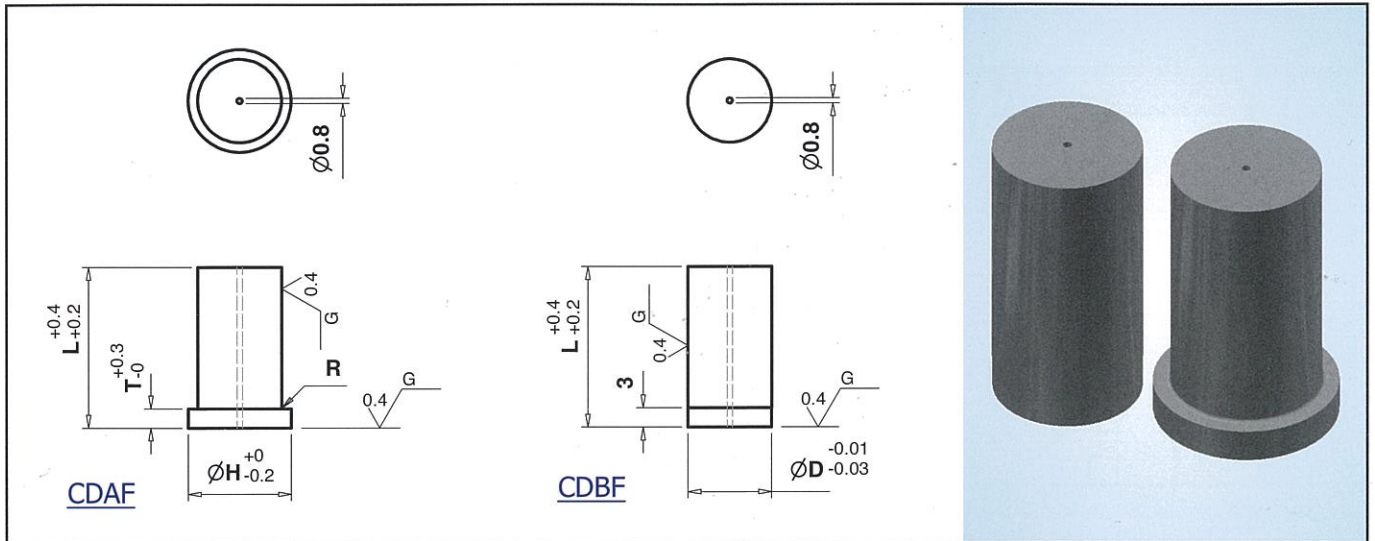
Note: Other Dimension Not Listed above can be ground to your specifications.  
 If in doubt please send us your drawing. 'D' tolerance is m5 or +0.005.  
 Hole by wire EDM.

\*\*\* $0.15 \leq R < W/2$

How to order : **CDAE – D – P – W – L**  
 Example : **CDBE – D3.0 – P1.000 – W1.000 – 15**

# SOLID CARBIDE DIES

- BUTTON HEAD TYPE, BLANK (CDAF)
- BUTTON STRIAIGHT TYPE, BLANK (CDBF)



D Body Dia.	T	L – Length				
		15	20	25	30	35
3.0	3	•	•	•		
4.0		•	•	•	•	
5.0		•	•	•	•	
6.0	5	•	•	•	•	
8.0		•	•	•	•	•
10.0		•	•	•	•	•
13.0		•	•	•	•	•
16.0		•	•	•	•	•
20.0		•	•	•	•	•
25.0		•	•	•	•	•

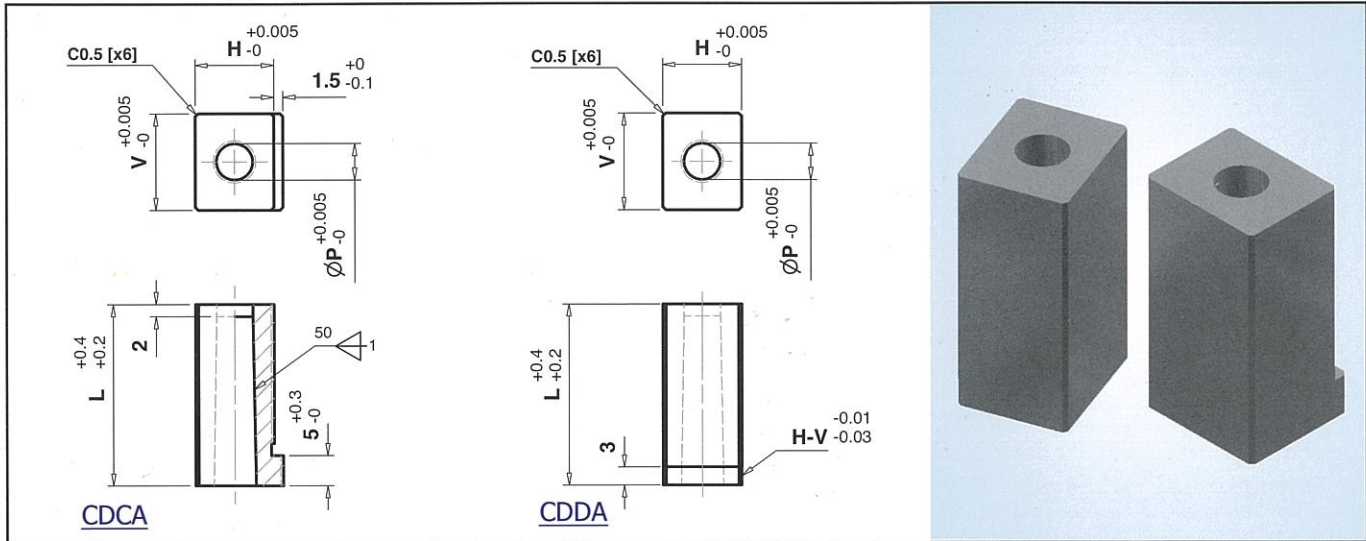
Note: Other Dimension Not Listed above can be ground to your specifications.  
 If in doubt please send us your drawing. 'D' tolerance is m5 or +0.005.  
 Unless otherwise specified by customer all outside corners will be sharp.

How to order : **CDAF – D – L**  
 Example : **CDBF – D3.0 – L15**



# SOLID CARBIDE DIES

- BLOCK SINGLE FLANGED TYPE, ROUND (**CDCA**)
- BLOCK STRAIGHT TYPE, ROUND (**CDDA**)



Body Size		P Hole Dia.	L – Length					
H	V		16	20	22	25	30	35
3 – 6	3 – 6	1.500 – 3.000	•	•	•	•	•	•
3 – 8	3 – 8	1.500 – 4.000		•	•	•	•	•
3 – 10	3 – 10	1.500 – 6.000		•	•	•	•	•
3 – 13	3 – 13	1.500 – 8.000			•	•	•	•
3 – 16	3 – 16	1.500 – 10.000				•	•	•
3 – 20	3 – 20	1.500 – 12.000					•	•
3 – 25	3 – 25	1.500 – 16.000						•

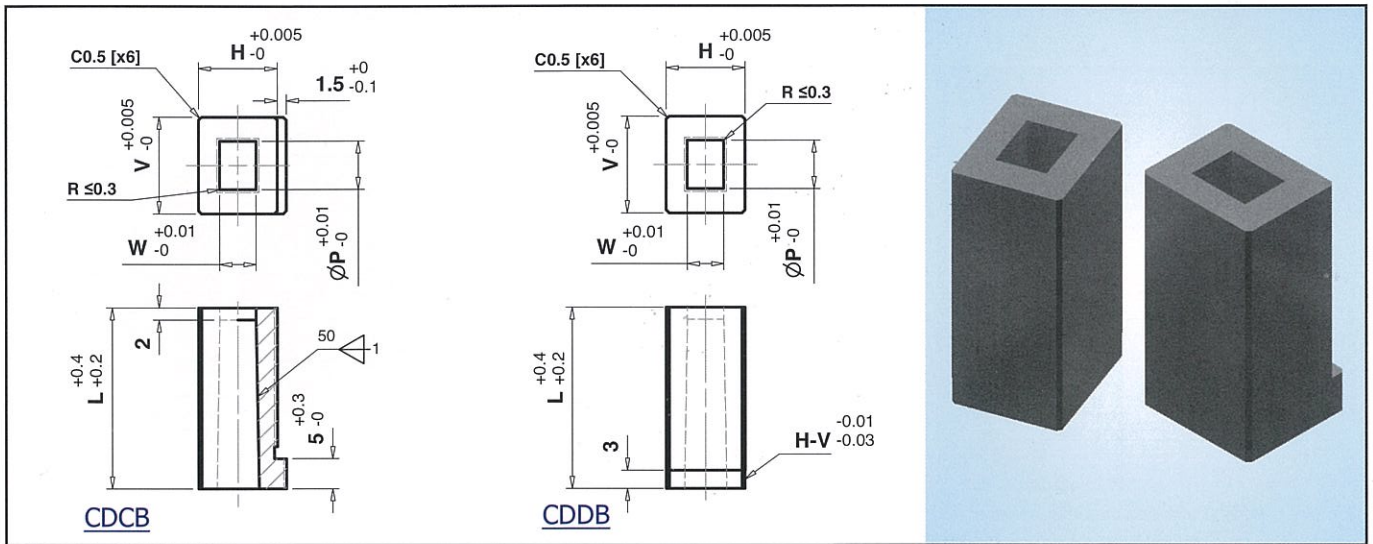
Note: Other Dimension Not Listed above can be ground to your specifications.  
If in doubt please send us your drawing. 'D' tolerance is m5 or +0.005.

How to order : **CDCA – H – V – P – L**  
Example : **CDDA – H6 – V6 – P1.500 – L16**

# SOLID CARBIDE DIES



- BLOCK SINGLE FLANGED TYPE, RECTANGLE (CDCB)
- BLOCK STRAIGHT TYPE, RECTANGLE (CDDB)



Body Size		Hole Size		L – Length					
H	V	P	W	16	20	22	25	30	35
3 – 6	3 – 6	1.500 – 3.000	1.500 – 3.000	•	•	•	•	•	•
3 – 8	3 – 8	1.500 – 4.000	1.500 – 4.000		•	•	•	•	•
3 – 10	3 – 10	1.500 – 6.000	1.500 – 6.000		•	•	•	•	•
3 – 13	3 – 13	1.500 – 8.000	1.500 – 8.000			•	•	•	•
3 – 16	3 – 16	1.500 – 10.000	1.500 – 10.000				•	•	•
3 – 20	3 – 20	1.500 – 12.000	1.500 – 12.000					•	•
3 – 25	3 – 25	1.500 – 16.000	1.500 – 16.000						•

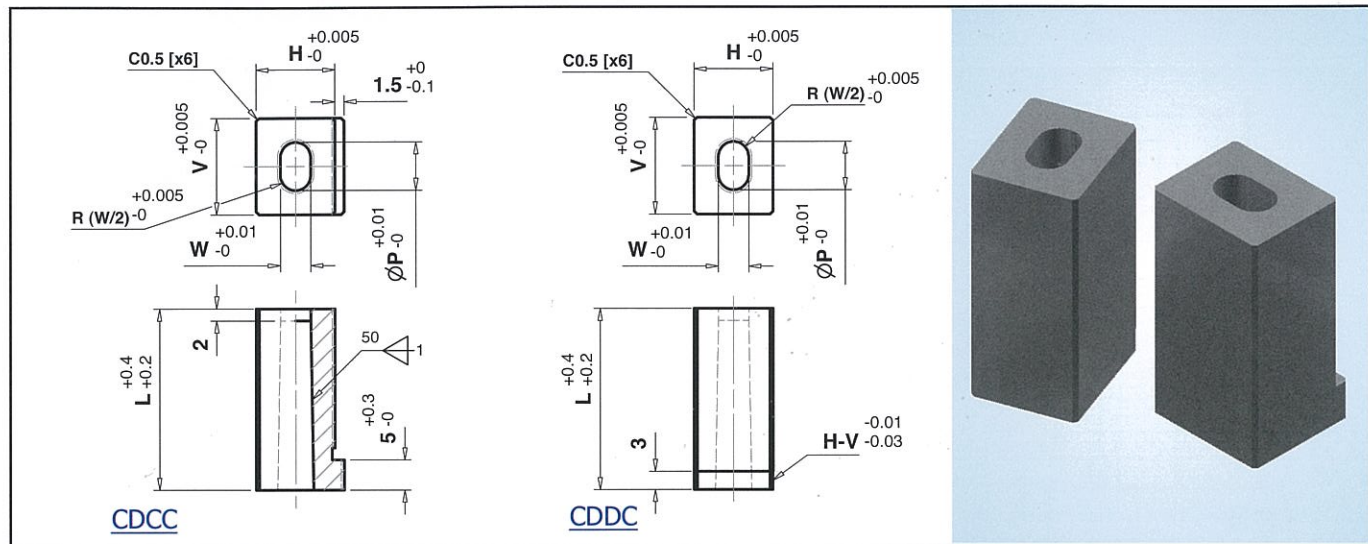
Note: Other Dimension Not Listed above can be ground to your specifications.  
 If in doubt please send us your drawing. 'D' tolerance is m5 or +0.005.  
 Hole by wire EDM.

How to order : **CDCB – H – V – P – W – L**  
 Example : **CDDB – H6 – V6 – P1.500 – W1.500 – L16**



# SOLID CARBIDE DIES

- BLOCK SINGLE FLANGED TYPE, OBLONG (CDCC)
- BLOCK STRAIGHT TYPE, OBLONG (CDDC)



Body Size		Hole Size		L – Length					
H	V	P	W	16	20	22	25	30	35
3 – 6	3 – 6	1.500 – 3.000	1.500 – 3.000	•	•	•	•	•	•
3 – 8	3 – 8	1.500 – 4.000	1.500 – 4.000		•	•	•	•	•
3 – 10	3 – 10	1.500 – 6.000	1.500 – 6.000		•	•	•	•	•
3 – 13	3 – 13	1.500 – 8.000	1.500 – 8.000			•	•	•	•
3 – 16	3 – 16	1.500 – 10.000	1.500 – 10.000				•	•	•
3 – 20	3 – 20	1.500 – 12.000	1.500 – 12.000					•	•
3 – 25	3 – 25	1.500 – 16.000	1.500 – 16.000						•

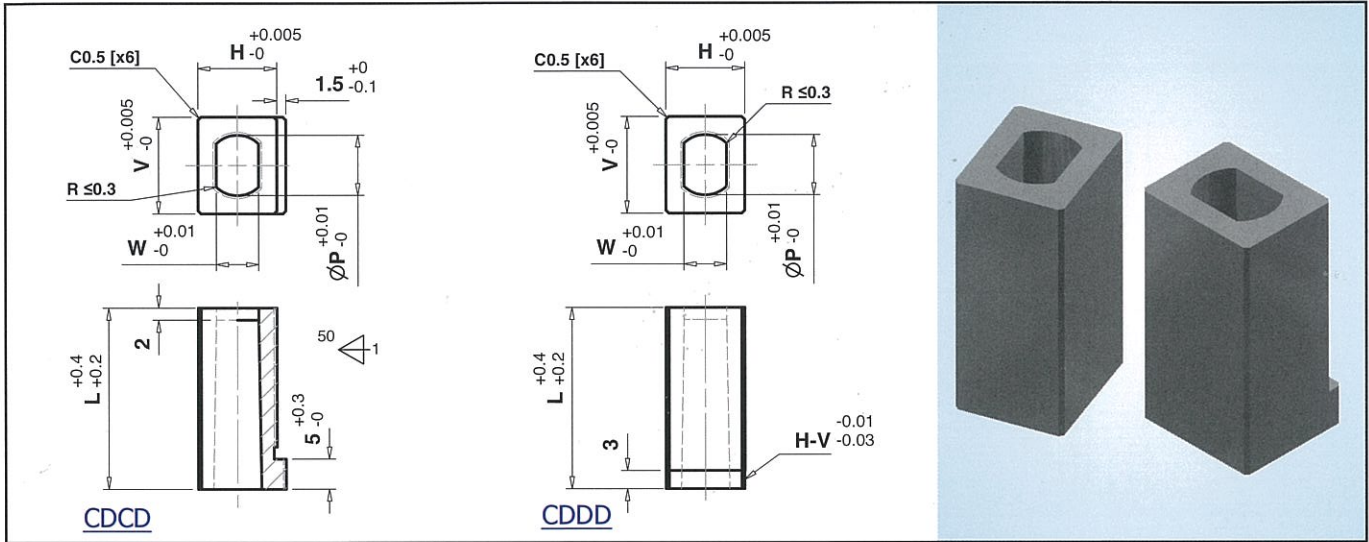
Note: Other Dimension Not Listed above can be ground to your specifications.  
 If in doubt please send us your drawing. 'D' tolerance is m5 or +0.005.  
 Hole by wire EDM.

How to order : **CDCC – H – V – P – W – L**

Example : **CDDC – H6 – V6 – P1.500 – W1.500 – L16**

# SOLID CARBIDE DIES

- BLOCK SINGLE FLANGED TYPE, FLATTED ROUND (**CDCD**)
- BLOCK STRAIGHT TYPE, FLATTED ROUND (**CDDD**)



Body Size		Hole Size		L – Length					
H	V	P	W	16	20	22	25	30	35
3 – 6	3 – 6	1.500 – 3.000	1.500 – 3.000	•	•	•	•	•	•
3 – 8	3 – 8	1.500 – 4.000	1.500 – 4.000		•	•	•	•	•
3 – 10	3 – 10	1.500 – 6.000	1.500 – 6.000		•	•	•	•	•
3 – 13	3 – 13	1.500 – 8.000	1.500 – 8.000			•	•	•	•
3 – 16	3 – 16	1.500 – 10.000	1.500 – 10.000				•	•	•
3 – 20	3 – 20	1.500 – 12.000	1.500 – 12.000					•	•
3 – 25	3 – 25	1.500 – 16.000	1.500 – 16.000						•

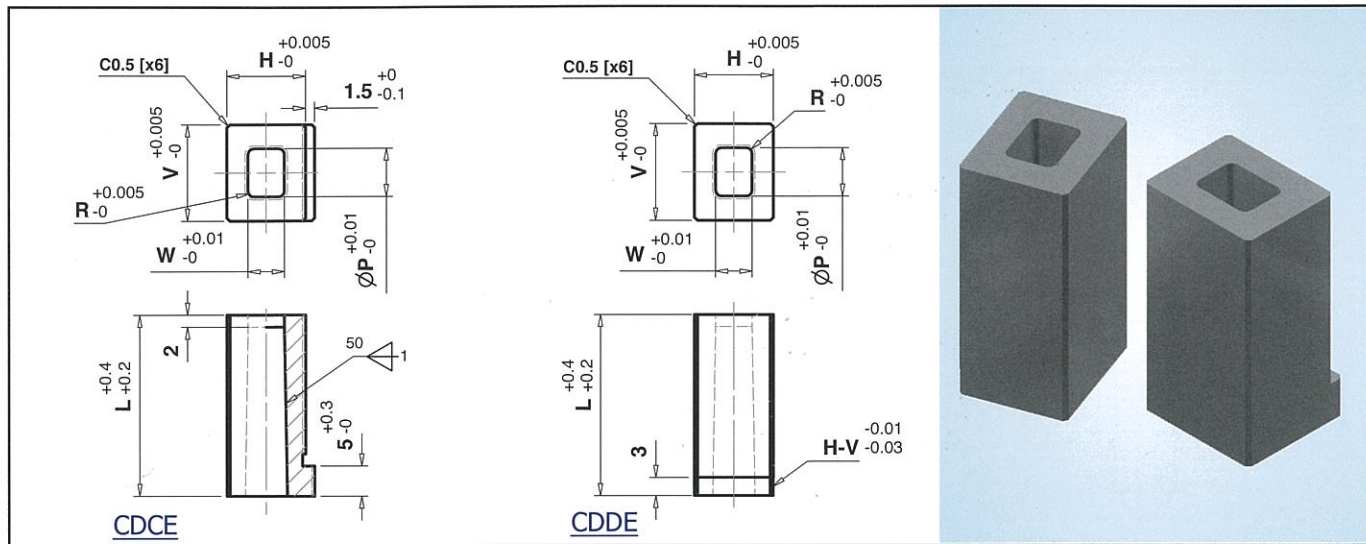
Note: Other Dimension Not Listed above can be ground to your specifications.  
 If in doubt please send us your drawing. 'D' tolerance is m5 or +0.005.  
 Hole by wire EDM.

How to order : **CDCD – H – V – P – W – L**  
 Example : **CDDD – H6 – V6 – P1.500 – W1.500 – L16**



# SOLID CARBIDE DIES

- BLOCK SINGLE FLANGED TYPE, RECTANGLE w/ CORNER RADIUS (CDCE)
- BLOCK STRAIGHT TYPE, RECTANGLE w/ CORNER RADIUS (CDDE)



Body Size		Hole Size		L – Length					
H	V	P	W	16	20	22	25	30	35
3 – 6	3 – 6	1.500 – 3.000	1.500 – 3.000	•	•	•	•	•	•
3 – 8	3 – 8	1.500 – 4.000	1.500 – 4.000		•	•	•	•	•
3 – 10	3 – 10	1.500 – 6.000	1.500 – 6.000		•	•	•	•	•
3 – 13	3 – 13	1.500 – 8.000	1.500 – 8.000			•	•	•	•
3 – 16	3 – 16	1.500 – 10.000	1.500 – 10.000				•	•	•
3 – 20	3 – 20	1.500 – 12.000	1.500 – 12.000					•	•
3 – 25	3 – 25	1.500 – 16.000	1.500 – 16.000						•

Note: Other Dimension Not Listed above can be ground to your specifications.  
 If in doubt please send us your drawing. 'D' tolerance is m5 or +0.005.  
 Hole by wire EDM.

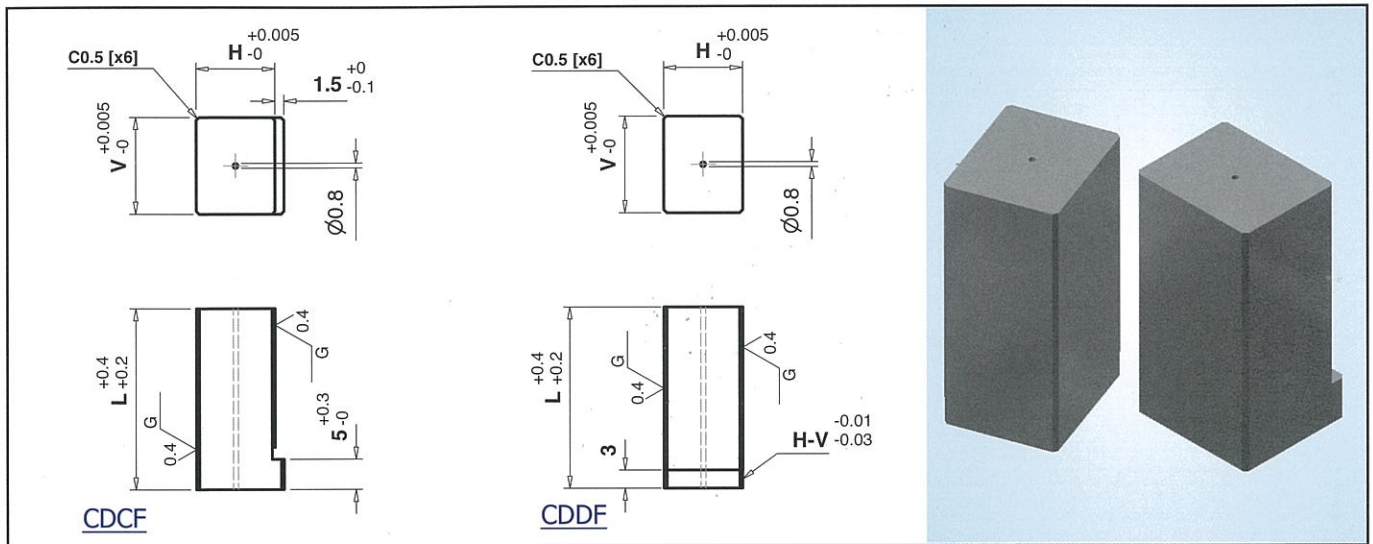
\*\*\* $0.15 \leq R < W/2$

How to order : **CDCE – H – V – P – W – L**

Example : **CDDE – H6 – V6 – P1.500 – W1.500 – L16**

# SOLID CARBIDE DIES

- BLOCK SINGLE FLANGE TYPE, BLANK (CDCF)
- BLOCK STRIAIGHT TYPE, BLANK (CDDF)



H	V	L – Length				
		15	20	25	30	35
6.00 – 8.00	6.00 – 25.00	•	•	•		
8.01 – 10.00	8.00 – 25.00	•	•	•	•	
10.01 – 13.00	10.00 – 25.00	•	•	•	•	
13.01 – 16.00	13.00 – 25.00	•	•	•	•	
16.01 – 20.00	16.00 – 25.00	•	•	•	•	•
20.01 – 25.00	20.00 – 25.00	•	•	•	•	•

Note: Other Dimension Not Listed above can be ground to your specifications.  
 If in doubt please send us your drawing. 'D' tolerance is m5 or +0.005.  
 Unless otherwise specified by customer all outside corners will be sharp.

How to order : **CDCF – H – V – L**  
 Example : **CDDF – H6.0 – V10.00 – L15**